



EASY REPLACEMENT
 No Tools Means No Tools!

GNE[®] E3

Water Filtration Simplified[®]

WH

WHITE SERIES FILTERS



WH

White series filters are unique and high capacity granular media bottles that allow incorporation of multiple media options and solutions to be used. White series filters are 0.5 ft³ empty bottles that allow for the filling of granular filtration media.

The white series design incorporates patented Vortech[®] full distributor plate technology, providing uniform distribution and utilization of the media bed along with maximum efficiencies and service flow rates. This gives the system maximum flexibility whether installed in up flow or down flow service. The removable top cap has a locking feature that can be used for limiting access to the internal medias by the end user, and special rings on the bottom of the bottle allow for easy hanging of the cartridge and change-out of medias in applications like service DI exchange.

The white series is also available in a Mid-Vortech[®] configuration that splits the cartridge into equal 0.25 ft³ chambers for separation and use of different medias, which increases the efficiency and usage of the media bed.

Each filter comes with a unique handle design for lightweight and easy removal, a bag for proper disposal, and a double O-ring connection into the Cartridge Tank[®] plumbing adapter. Plumbing connection options are available with the **ONE-E3[®] Cartridge System**.

White series filters are available in the following configurations:

CT-MEDIA05: Full 0.5 ft³ configuration; able to be filled with any media for up-flow or down-flow service due to use of Vortech technology

CT-MEDIA05-MID: Full 0.5 ft³ configuration with Mid-Vortech separation plate; able to be filled with any media for up-flow or down-flow service due to use of Vortech technology

FEATURES

0.5 ft ³ empty media bottle	Rings on bottom of bottle
Polyethylene construction	Double Buna-N O-ring seals
Vortech distributor plate	Mid-Vortech distributor plate option
Locking or removable top cap	

BENEFITS

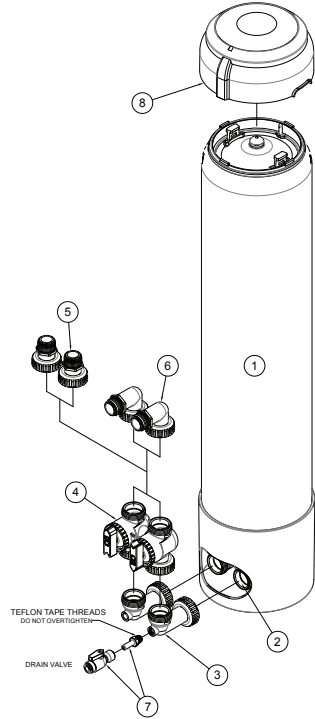
Extended service life and high capacity contaminant removal	Up flow or down flow service and full utilization of the media bed
High chemical resistance	Ease of handling
Ensures no bypass of contaminants and high chemical compatibility	Effective at reducing unwanted bad taste and odor, along with chlorine and chloramine taste and odor from potable drinking water
Low pressure drop = high flow	Separation of multi-media configurations

APPLICATIONS

Ideal for residential, food/beverage service, rental fleets, service DI exchange, POE, rental programs, exchange systems, plating solutions, commercial and industrial applications

Metal finishing, oxidizing agents, corrosive fluids, electronics, pre-RO, process water, waste water, cooling towers, make-up water, polishing filters, primary filtration, high-purity pre- or post-filtration

TECHNICAL SCHEMATICS



PART IDENTIFICATION

1. ONE-E3 Filtration System / Housing
2. In/Out Head for 1.050" Riser Pipe
3. 90 Degree Vertical Elbow With/without Machined Drain Port
4. Bypass Manifold
5. 1" MNPT Straight Connector
6. 1" MNPT 90 Degree Elbow Connector
7. 3/8" PEX Drain Valve Kit Assembly With Shut-off
8. PCB Umbrella Without Electronics

E3 FILTRATION SYSTEM INTEGRATED BYPASS, METER & DRAIN CONNECTION SYSTEM



The E3 connection system is available to use with all POE (point-of-entry) filters in the blue, green, yellow, orange, silver and white filtration series.

EASY REPLACEMENTS NO TOOLS REQUIRED

1. PRESS THE RED PRESSURE RELIEF VALVE TO UNSEAT THE RING



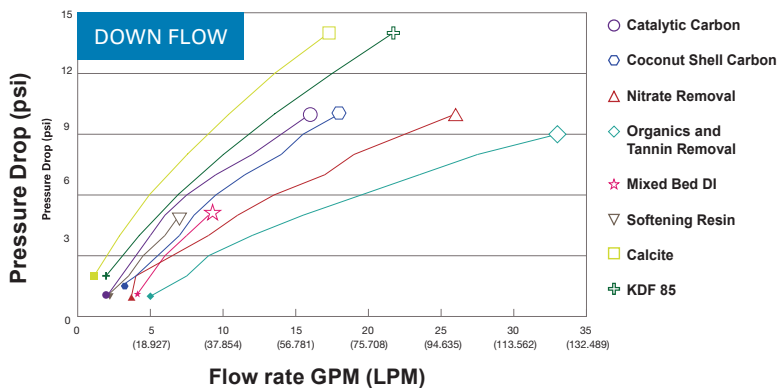
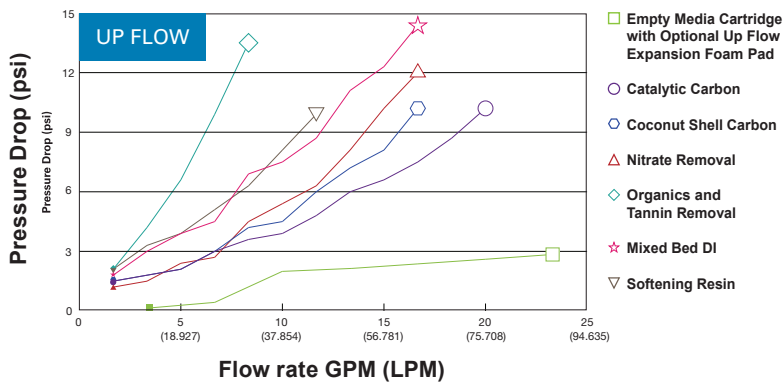
2. REMOVE SNAP RING



3. LIFT TOP CAP



FILTER PERFORMANCE



BETTER FILTRATION THERE'S NO COMPETITION

Optional CT-MEDIA05-FOAM: Optional up flow expansion foam pad can be added to filters used in up flow service applications to promote consistent service flow rates and reduced pressure drop.

Optional CT-MEDIA05-SHIP: Optional box and bag kit solution for shipping of spent cartridges to facilities for regeneration or reuse of bottle.

Performance claims are based on independent lab results and manufacturer's internal test data. Actual performance is dependent on influent water quality, flow rates, system design and applications. Your results may vary. Micron ratings based on 85% or greater removal of a given particle size. Flush new cartridges until water runs clear prior to use. Do not use with water that is microbiologically unsafe or of unknown quality without adequate disinfection before or after the system.



ENPRESS®, ONE®, CARTRIDGE TANK®, E3®, AND UMBRELLA CAP® are trademarks of ENPRESS, LLC. US and International patents, and patent pending.